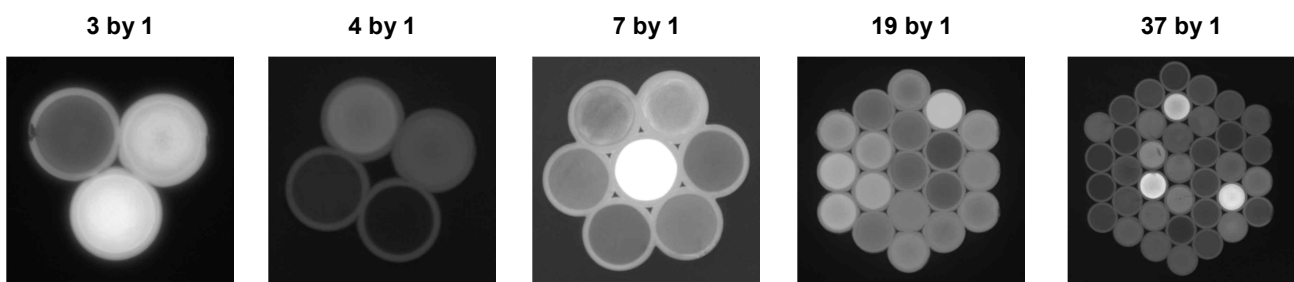


High Power Pump Combiner

Description

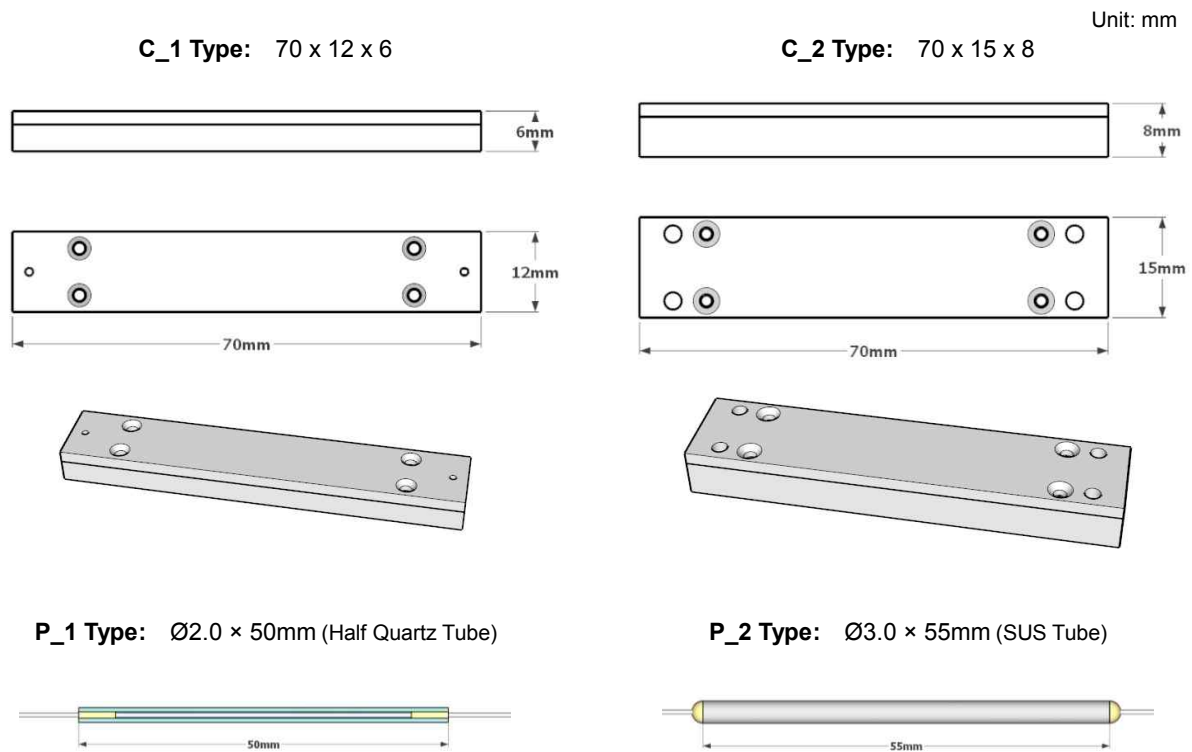
Huscent's Multimode Combiners are designed for high power fiber laser applications. The Multimode Combiners can be designed to meet a wide range of number of input fiber and adaptation to different fiber types. Fiber type (bundle configuration) can be customized.

Configuration



Tapering Fiber Bundle End-Face

Mechanical Dimension



Order Information

Add: Huscent 221,226 Cheomdangwagi-ro, Buk-gu, Gwangju, Korea
 E-mail: huscent@naver.com ☎ Tel: 82-62-975-7301 Fax: 82-62-975-7302